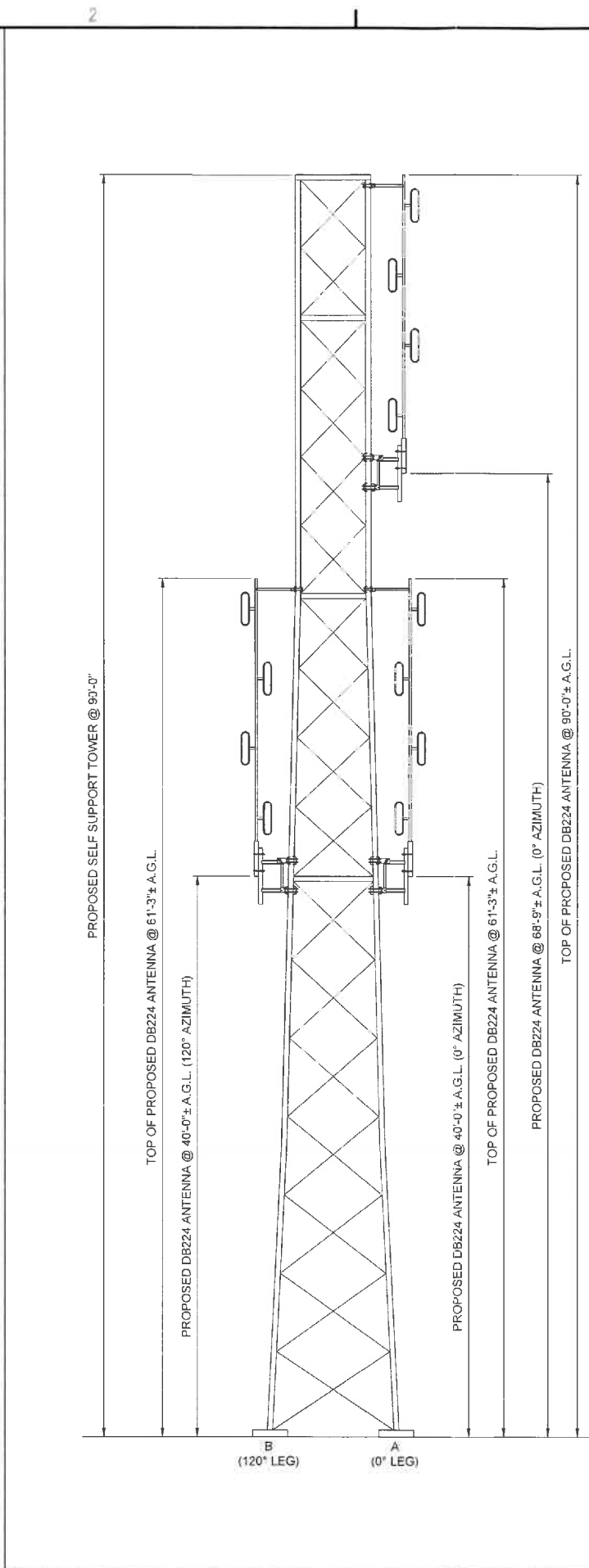
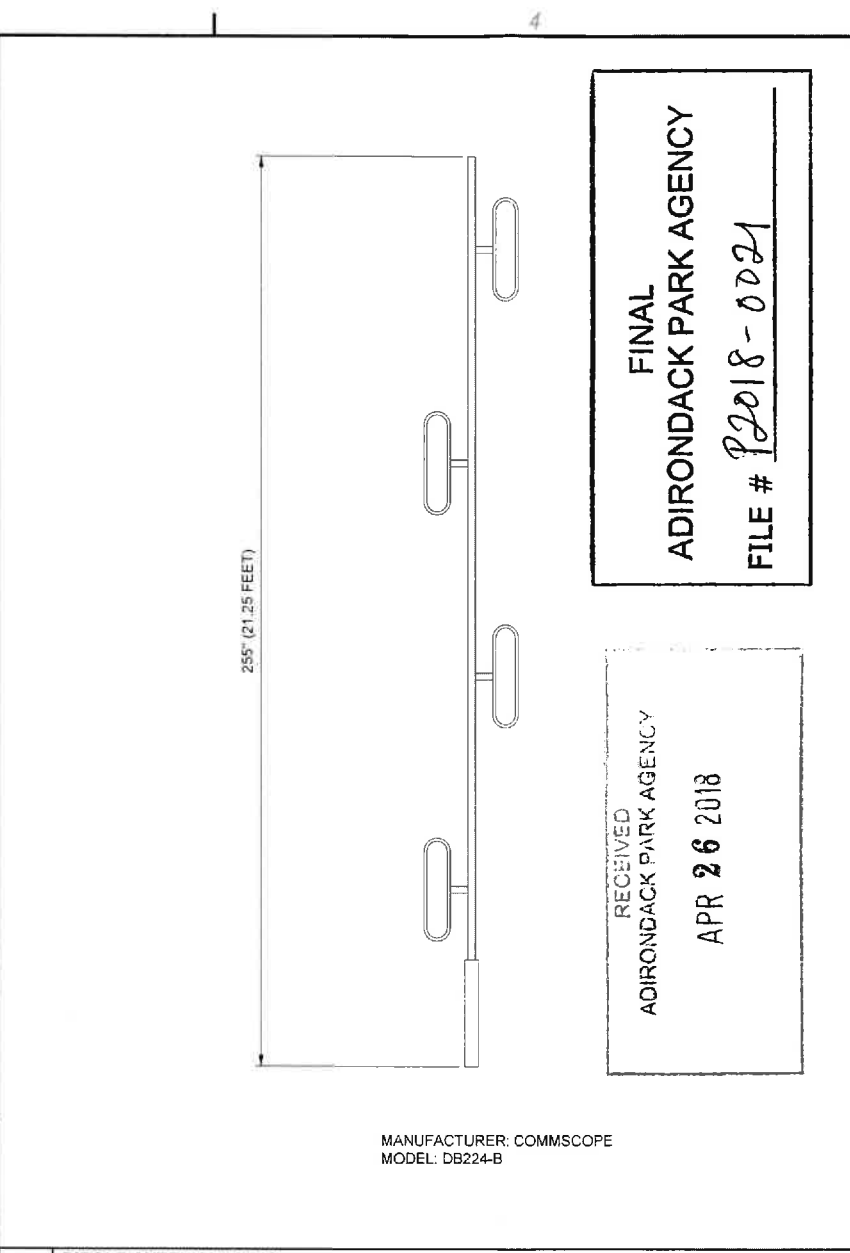


A1 TOWER ELEVATION A (LOOKING SOUTHEAST)

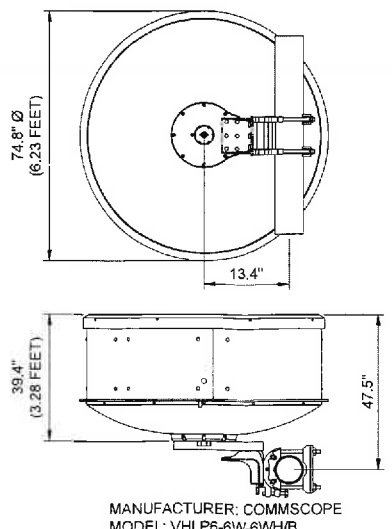


A2 TOWER ELEVATION B (LOOKING SOUTHWEST)



B3 DIPOLE ANTENNA DETAIL

NOT TO SCALE



A3 MICROWAVE ANTENNA DETAIL

NOT TO SCALE

FINAL
ADIRONDACK PARK AGENCY
FILE # P2018-0021

RECEIVED
ADIRONDACK PARK AGENCY
APR 26 2018



C&S Engineers, Inc.
499 Col. Eileen Collins Blvd.
Syracuse, New York 13212
Phone: 315-455-2000
Fax: 315-455-9667
www.cscos.com



PREPARED FOR:
COUNTY OF HERKIMER
HERKIMER COUNTY OFFICE OF
EMERGENCY SERVICES/911
71 RESERVOIR ROAD
HERKIMER, NY 13350

HERKIMER COUNTY
RADIO TOWER
McCAULEY MOUNTAIN
TOWN OF WEBB, NY 13420

MARK	DATE	DESCRIPTION
REVISIONS		
PROJECT NO. -		
DATE: APRIL 2018		
DRAWN BY: B. BUCKINGHAM		
DESIGNED BY:		
CHECKED BY: R.N. DUCLOS, P.E.		
NO ALTERATION PERMITTED HEREON EXCEPT AS PROVIDED UNDER SECTION 7209 SUBDIVISION 2 OF THE NEW YORK EDUCATION LAW		

TOWER ELEVATIONS

